



# PRODUCT SPECIFICATIONS

*Exclusively Designed* • INTERNATIONALLY RECOGNIZED™

## Sphere Model # {xx} -B4012

### Product Features:

- Natural Marble
- Above Counter Application
- Without Overflow  
(Non-Overflow Drain Required)



### This Product Complies With:

- IAPMO PS 99
- ADA Accessibility Guidelines 4.19 (if installed per ADAAG Figure 31)  
<http://www.access-board.gov/adaag>

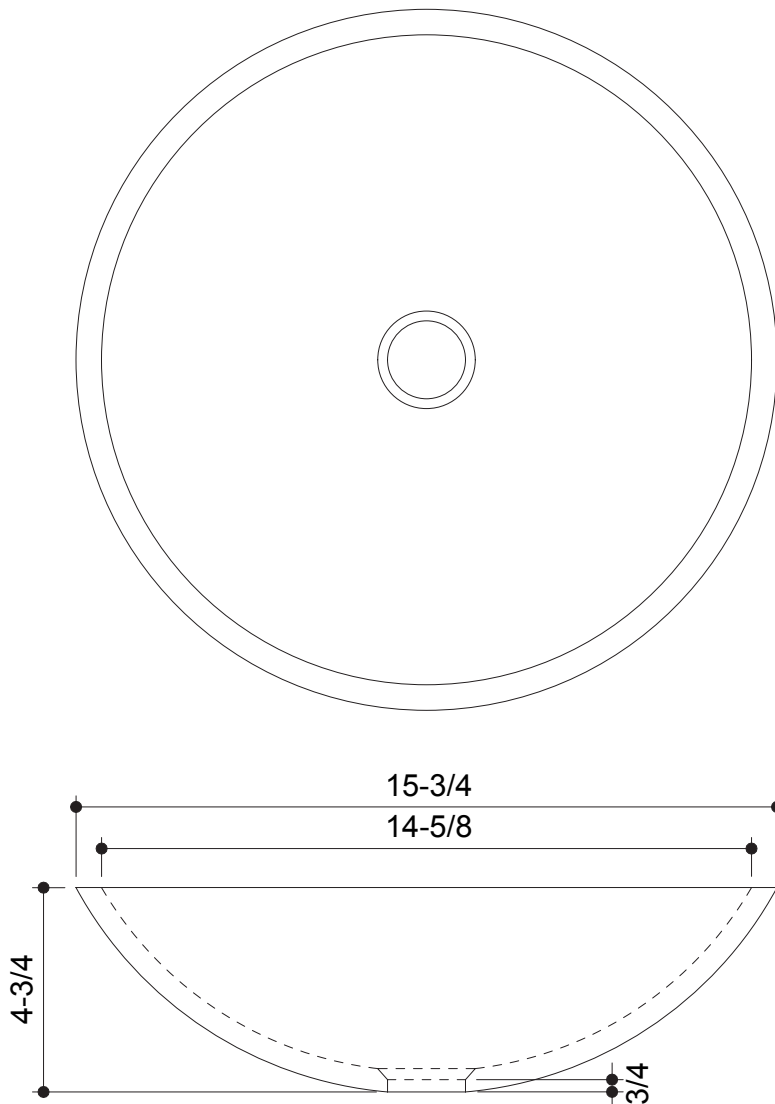
### Measurements:

- Diameter: 15-3/4" (40 cm)
- Height: 4-3/4" (12.1 cm)
- Fits Standard 1-1/4" (3.2 cm) Drain

### Recommended Accessories:

- Any D'vontz ® Lavatory Drain Without Overflow
- Any D'vontz ® Vessel Faucet With Extension

## PRODUCT DIMENSIONS



Please install this product according to the installation guide and all local plumbing codes.